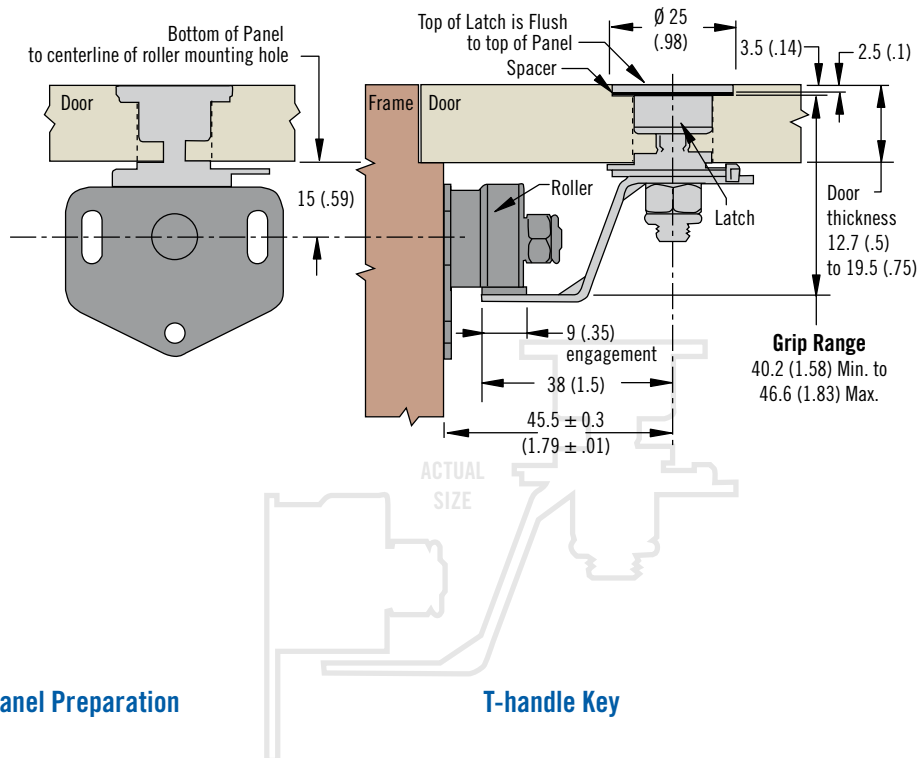


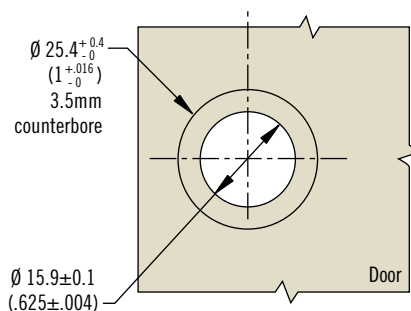
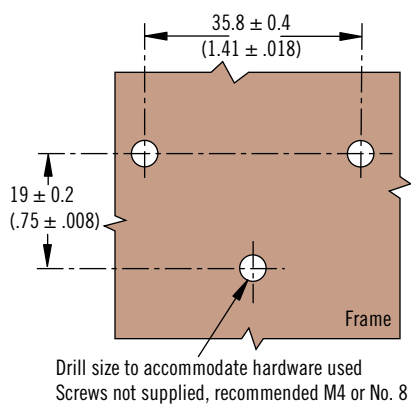
ACCESS HARDWARE

E5 T-Roller Cam Latch · Flush · Key Turn

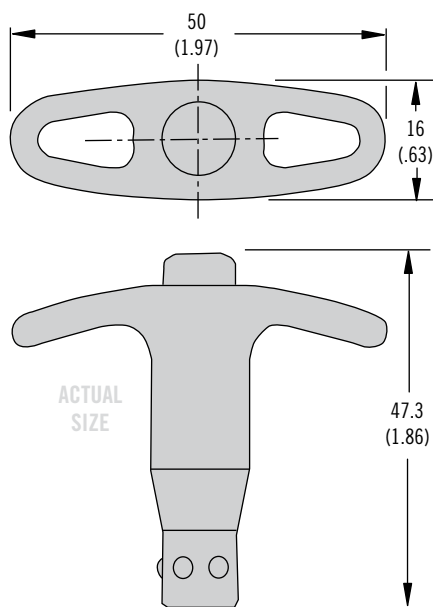
Assembly



Panel Preparation



T-handle Key



Operation

Push T-handle button and insert into housing. Release button and slightly rotate the T-handle until it is secured into housing.



- Removable handle design helps control access
- Flush exterior suitable for floor latch applications
- Premium finish and corrosion resistance

Material and Finish

Latch and Roller

Shaft body: 316 grade stainless steel polished

Keeper roller and Spacer: Nylon black Cam, Mounting plate, Guide ring: 304 Stainless steel polished

Screw, Roller support and Nuts: 304 Stainless steel passivated



T-handle Key

T-handle housing: 304 Stainless steel electropolished

Spring, Weld cover and Bearing: 304 Stainless steel

Part Number

Latch assembly: E5-70-1627-701

T-handle Key: E3-13-4

Performance Details

Max. static load: 160 N (36 lbs)

T-handle pull-out force: 2200 N (495 lbs)

